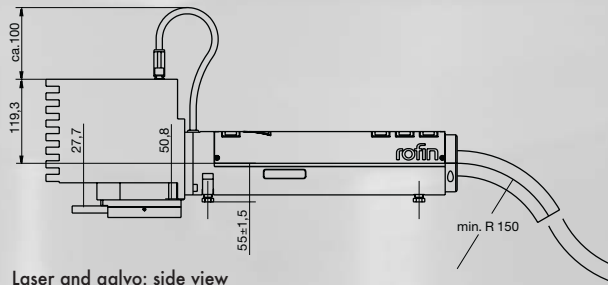


PowerLine F 20

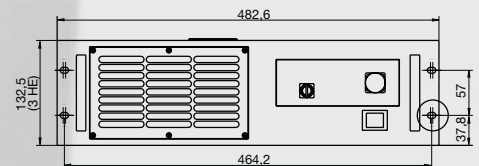
Fiber laser for a wide range
of marking applications



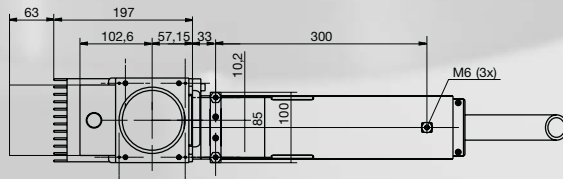
WE
THINK
LASER



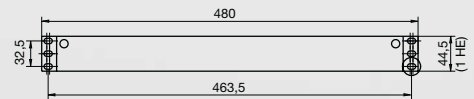
Laser and galvo: side view



Supply unit: front view



Laser and galvo: bottom view



PC: front view

Technical Data

Laser head

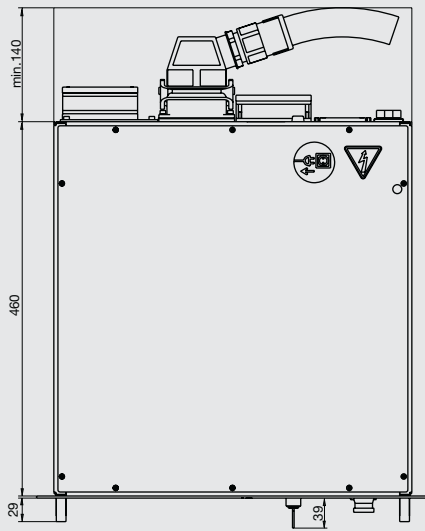
Laser medium:	Yb
Wavelength:	1065 nm +/- 5 nm
Pulse frequency:	20 - 80 kHz
Dimensions:	length 380 mm, Ø 90 mm
Weight:	approx. 10 kg
Safety class:	IP 54

Marking unit

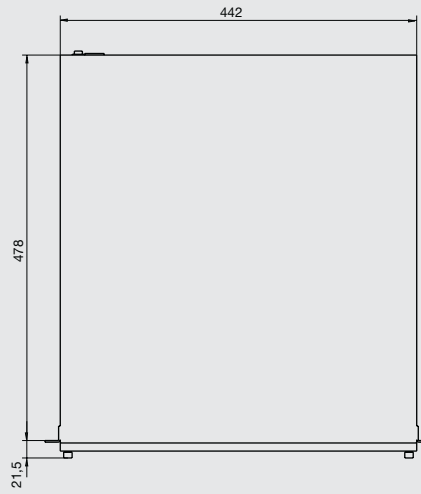
Field size:	120 x 120 mm
Focal distance:	160 mm (other focal distance on request)
Dimensions (L x W x H):	175 x 188 x 166 mm
Weight:	approx. 2.7 kg
Safety class:	IP 54

Supply unit and PC (19")

Supply unit:	460 mm x 19" x 3 rack units; 15 kg
PC:	440 mm x 19" x 1 rack unit; 10 kg Windows XP embedded, DVD RW, USB 2.0, LAN
Electric supply:	100 - 240 VAC, 50/60 Hz
Power consumption supply unit:	approx. 300 watts
Safety class:	IP 20
Operating temperature:	15° - 35° C



Supply unit: top view



PC: top view

Your Benefits

■ Wide range of applications

The PowerLine F 20 is a diode-pumped, q-switched fiber laser specially optimized for marking applications. Nearly all metals and polymeric plastics can be economically processed with this laser beam source.

■ Efficient use

This diode-pumped laser source excels in high diode life and allows several thousand operating hours at minimum maintenance and at attractive total operating costs. The system is air-cooled and needs only 300 watts.

■ Small dimensions

The space-efficient design of the PowerLine F 20 facilitates integration into existing production environments. A flexible optical fiber connects the very compact laser head with the supply unit where the laser beam is being generated.



Marking of electronic components



Marking of plastics



Marking of medical components



Matrix code marking

WE
THINK
LASER

ROFIN-SINAR Laser GmbH
Dieselstr. 15
85232 Bergkirchen/Günding
Tel: +49(0)8131-704-0
Fax: +49(0)8131-704-100
email: info@rofin-muc.de

Carl Baasel Lasertechnik GmbH & Co. KG
Petersbrunner Str. 1b
82319 Starnberg
Tel: +49(0)8151-776-0
Fax: +49(0)8151-776-159
email: info@baasel.de

ROFIN-SINAR Laser GmbH
Berzeliusstr. 83
22113 Hamburg
Tel: +49(0)40-733 63-0
Fax: +49(0)40-733 63-100
email: info@rofin-ham.de

MARKING

MICRO

MACRO

