

# FOBA®

Technology + Services

A **VIRTEK** Company



## Laser systems for marking and engraving

In the field of Nd:YAG lasers, FOBA supplies basic systems with a power range of 15 to 100 Watts. Basic systems are suitable for universal use in machine workplaces, manufacturing lines or special machines.

The DP20GS - an end-pumped high-end system - provides optimal laser beam quality and performance. The most popular fields of use are for personalisation, in particular the marking of identity cards with grey-scale images, as well as the field of lacquer removal in order to achieve a day & night design.

When used in combination with speed-optimised scan heads in a double-head design, the excellent performance permits the MOTF marking of electronic components up to extreme line speeds.

- Output power 20 Watt (CW)
- Excellent laser beam quality
- Single-phase mains connection (230 V)
- No external cooling water
- Long working life of the laser diodes means little servicing



### Area of application



Marking on almost all materials, mainly marking on plastics, lacquer removal (day and night design) and marking of electronic components.

## DP20GS

Basic system - 20 Watt

Practical Brilliance in Lasers

# DP20GS

Basic system - 20 Watt

## Laser

Laser type	Nd:YVO <sub>4</sub> , 1064 nm, diode pumped
Power	typical 20 W (single mode 16 W)
Power stability	1,5 % (QS, 30 kHz)
Pulse width	< 15 ns
Marking field	120 x 120 mm <sup>2</sup>
Safety	Class IV Laser

## Control

Control system	modular CompactPCI-PC
Operating system	MS Windows® 2000
Laser control	FOBAGRAF with import function of plt, dwg, dxf, ai, jpg, tif, pcx, bmp ...
Interfaces	serial, digital I/O, Ethernet, USB optionally: PROFIBUS

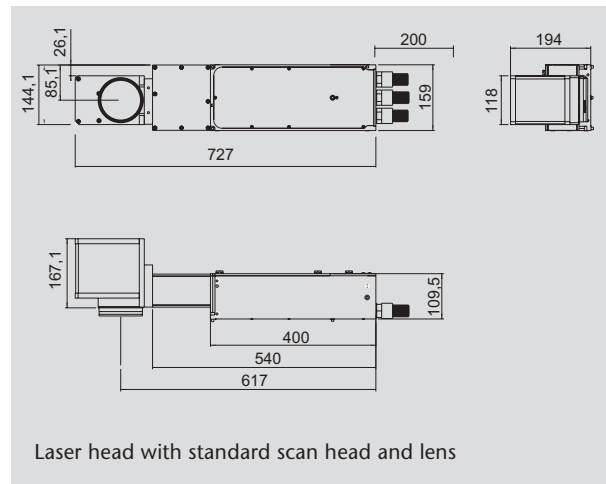
## Installation

Electrical	1/N/PE AC 230 V, +/- 10 %, 50/60 Hz
Power consumption	typical 1,9 kW
Cooling system	internal water/air cooler
Temperature	15 - 40 °C
Humidity	90 % (up to max. 20 °C), 30 % (up to max. 40 °C), non-condensing
Weight	Laser head approx. 15 kg OEM components approx. 80 kg Control cabinet approx. 150 kg <sup>1)</sup>
Degree of protection	IP 54 (Control cabinet)

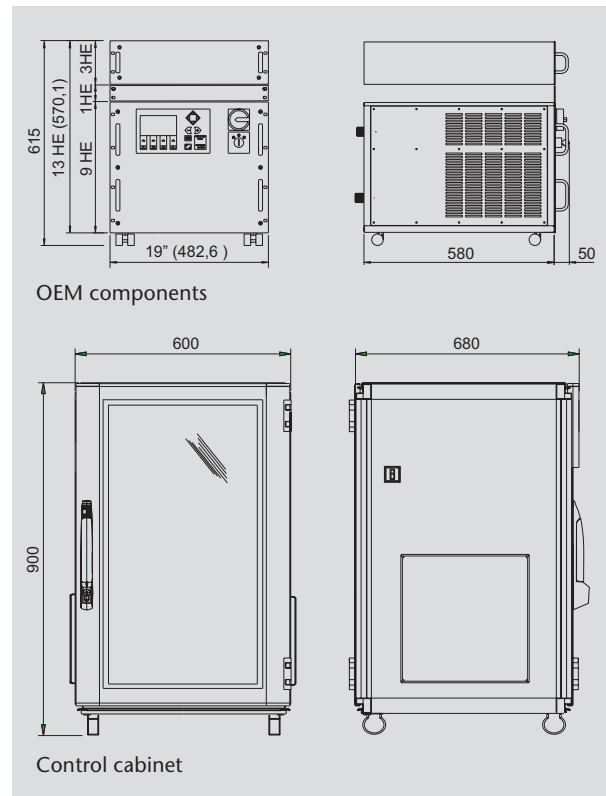
## Options

Marking on the fly	for marking moving workpieces
19" racks	for Integration
Changeable lens	

<sup>1)</sup> with OEM components



Laser head with standard scan head and lens



OEM components

Control cabinet

Subject to technical alterations, Dimensions without obligation 2004-10

**FOBA**<sup>®</sup>  
Technology + Services  
A **VIRTEK** Company

End to end excellence in laser systems



### EUROPE

FOBA Technology + Services GmbH  
www.foba.de  
sales@foba.de

Postfach 15 60  
D-58465 Lüdenscheid  
Germany

Tel. +49 2351 996-0  
Fax +49 2351 996-155

### NORTH & SOUTH AMERICA

Virtek  
www.virtek.ca  
fobasales@virtek.ca

785 Bridge Street  
Waterloo, ON N2V 2K1  
Canada

Tel. +1 800 684-7835 or 519 746-7190  
Fax +1 519 746-3383

### ASIA

Virtek Asia Pacific Inc.  
www.virtek.ca  
asia.sales@virtek.ca

Eru Building, 2<sup>nd</sup> Floor  
3-14-6 Higashikashiwagaya  
Ebina City, Kanagawa, 243-0401, Japan

Tel. +81 46-292-0739  
Fax +81 46-292-0793