

FOBA®

Laser Marking + Engraving

A Virtek Company

Laser systems for marking and engraving

NEU
NEW
NOUVEAU



In the field of Nd:YAG lasers, FOBA supplies basic systems with a power range of 10 to 100 Watts. Basic systems are suitable for universal use in machine workplaces, manufacturing lines or special machines.

The innovative pulsed fibre lasers offer unprecedented efficiency and compactness. The small dimensions of the laser head, deflector unit and supply unit make integration much easier in, for example, small machines. The high level of pulse-to-pulse stability during material processing is a further advantage of this new type of light source.

- Small compact air-cooled laser
- Output power 10 Watt (CW)
- Excellent laser beam quality
- Single-phase mains connection
- No external cooling water
- Long working life of the laser diodes means little servicing



Area of application



Marking on almost all materials, mainly marking on plastics, foil, metal parts and electronic components.

DP10F

Basic system - 10 Watt

DP10F

Basic system - 10 Watt

System

Marking field	110 x 110 mm ² (f=160 mm)
Marking speed	up to 5000 mm/s up to 500 characters/s
Line width	70 µm

Laser

Laser type	Pulsed Yb Fiber Laser, 1060 -1070 nm, diode pumped
Power (QS)	typical 10 W (20 kHz)
Power stability	+/- 1 %
Pulse frequency	20 - 80 kHz
Pulse energy	0,5 mJ (20 kHz)
Pulse width	100 ns (20 kHz)
Laser safety	Laser class 4
Output fiber cable length	4 m

Control

PC	CompactPCI-PC
Operating system	MS Windows® 2000
Laser control	FOBAGRAF with Import functions of plt/dwg/dxf/ai/jpg/tif/pcx/bmp u.a.
Interfaces	serial, digital I/O, Ethernet, USB optionally: PROFIBUS

Installation

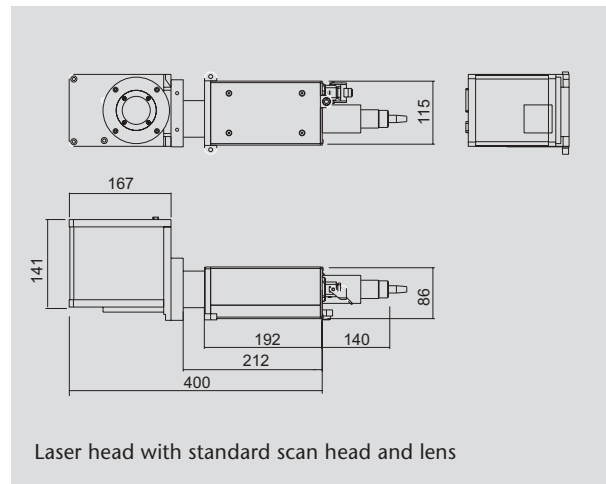
Electrical	L/N/PE, AC 100 - 138 V, 187 - 240 V, adjustable, 50/60 Hz
Power consumption	typ. 500 W
Cooling system	forced air
Temperature	15 - 40 °C
Humidity	90 % (up to max. 20 °C) 30 % (up to max. 40 °C) non-condensing
Weight	Laser head approx. 5 kg ¹⁾ OEM-Components approx. 30 kg cabinet approx. 45 kg ²⁾
Degree of protection	IP 43 (cabinet)

Options

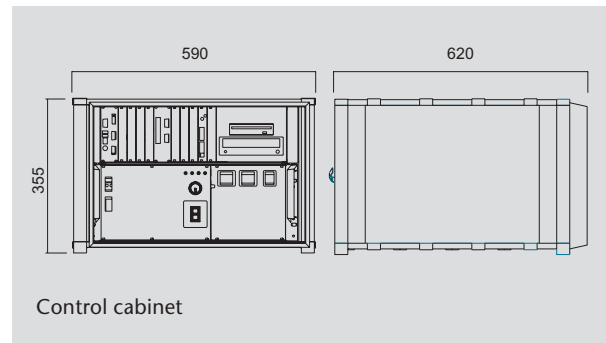
Pointer	Adjustment aid
Scan heads	
Scan lens	
Cabinet	Dimension: 19", 7 HE

¹⁾ without F-Theta lens

²⁾ with OEM-Components



Laser head with standard scan head and lens



Control cabinet

Subject to technical alterations, Dimensions without obligation 2005-06

End to end excellence in laser systems

FOBA®
Laser Marking + Engraving
A Virtek Company



EUROPE

FOBA Technology + Services GmbH
www.foba.de
sales@foba.de

Postfach 15 60
D-58465 Lüdenscheid
Germany

Tel. +49 2351 996-0
Fax +49 2351 996-155

NORTH & SOUTH AMERICA

Virtek
www.virtek.ca
fobasales@virtek.ca

785 Bridge Street
Waterloo, ON N2V 2K1
Canada

Tel. +1 800 684-7835 or 519 746-7190
Fax +1 519 746-3383

ASIA

Virtek Asia Pacific Inc.
www.virtek.ca
asia.sales@virtek.ca

Eru Building, 2nd Floor
3-14-6 Higashikashiwagaya
Ebina City, Kanagawa, 243-0401, Japan

Tel. +81 46-292-0739
Fax +81 46-292-0793