

# FOBA®

Technology + Services

A **VIRTEK** Company

## Laser systems for marking and engraving



C-series products, CO<sub>2</sub> vector lasers for industrial use, are available for high-quality laser marking.

Mark your products permanently and flexibly, either while stationary or during movement of the product (MOTF), and you benefit from innovative technology from a single source.

- Designed for high line speeds
- Minimal servicing and maintenance costs
- Windows-based operator interface with graphics preview
- Compact design and separation of laser head and control cabinet mean ultra-easy installation and integration in production plants
- Integrated water/air cooler
- Stainless steel control cabinet (IP 65)



### Applications



Marking of an extremely wide range of materials such as paper, cardboard, plastic or glass as used in the food, drinks, pharmaceuticals, cosmetics, packaging and automotive sectors.

# C30

Basic system - 30 Watt

Practical Brilliance in Lasers

# C30

## Basic system - 30 Watt

### System

Marking field	70 x 70 mm <sup>2</sup>
Marking speed	up to 1000 characters/s*
Line speed	up to 400 m/min*
Character height	0.5 - 70 mm
Line width	0.2 mm
* Marking and lines speed are dependent on material and code	

### Laser

Laser type	Sealed-off CO <sub>2</sub> laser
Power	30 W
Life time	approx. 30,000 h expected

### Control

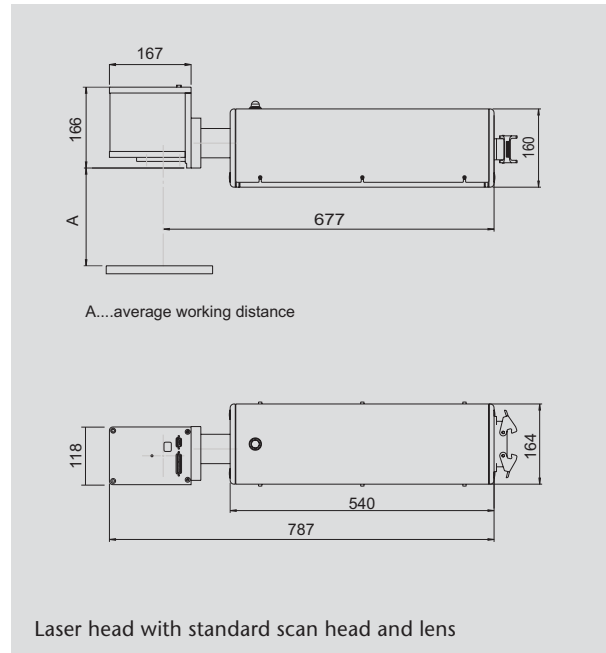
Control system	modular CompactPCI-PC
Display	10.4" colour TFT display
Operating system	MS Windows® 2000
Languages	German or English, selectable
Laser control	FOBAGRAF with import function of plt, dwg, dxf, ai, jpg, tif, pcx, bmp ...
Interfaces	USB, Ethernet, digital I/O, Product timing sequence, speed recognition

### Installation

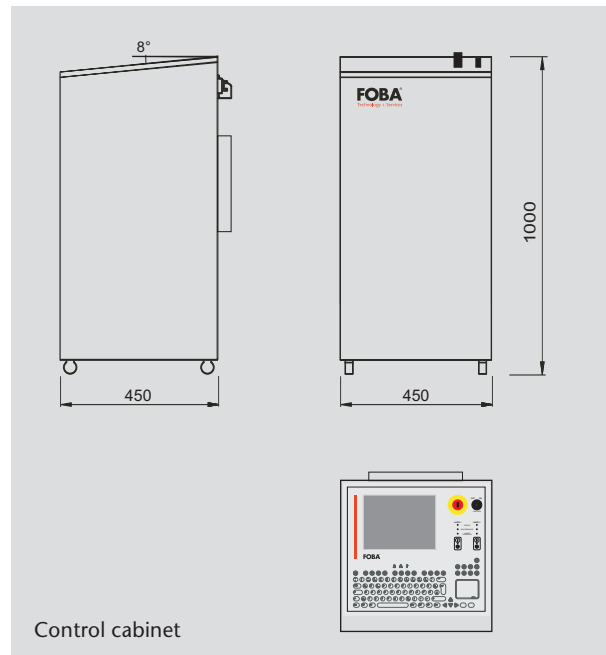
Electrical	1/N/PE AC 115/230 V, +/- 10 %, 50/60 Hz
Power consumption	typ. 1.2 kW
Cooling system	Internal water/air cooler
Temperature	5 - 38 °C
Humidity	90 % (up to max. 20 °C), 30 % (up to max. 38 °C), non-condensing
Weight	Laser head approx. 25 kg Control cabinet approx. 90 kg
Dimensions	see diagram
Degree of protection	Control cabinet IP 65 (stainless steel) Laser head IP 54, optional IP 64

### Options

Marking on the fly	for marking moving workpieces
Changeable lens	
Suction filter	
90° beam deflection	



Laser head with standard scan head and lens



Control cabinet

**FOBA**<sup>®</sup>  
Technology + Services  
A **Virtek** Company

End to end excellence in laser systems



#### EUROPE

FOBA Technology + Services GmbH  
www.foba.de  
sales@foba.de

Postfach 15 60  
D-58465 Lüdenscheid  
Germany

Tel. +49 2351 996-0  
Fax +49 2351 996-155

#### NORTH & SOUTH AMERICA

Virtek  
www.virtek.ca  
fobasales@virtek.ca

785 Bridge Street  
Waterloo, ON N2V 2K1  
Canada

Tel. +1 800 684-7835 or 519 746-7190  
Fax +1 519 746-3383

#### ASIA

Virtek Asia Pacific Inc.  
www.virtek.ca  
asia.sales@virtek.ca

Eru Building, 2<sup>nd</sup> Floor  
3-14-6 Higashikashiwayaya  
Ebina City, Kanagawa, 243-0401, Japan

Tel. +81 46-292-0739  
Fax +81 46-292-0793